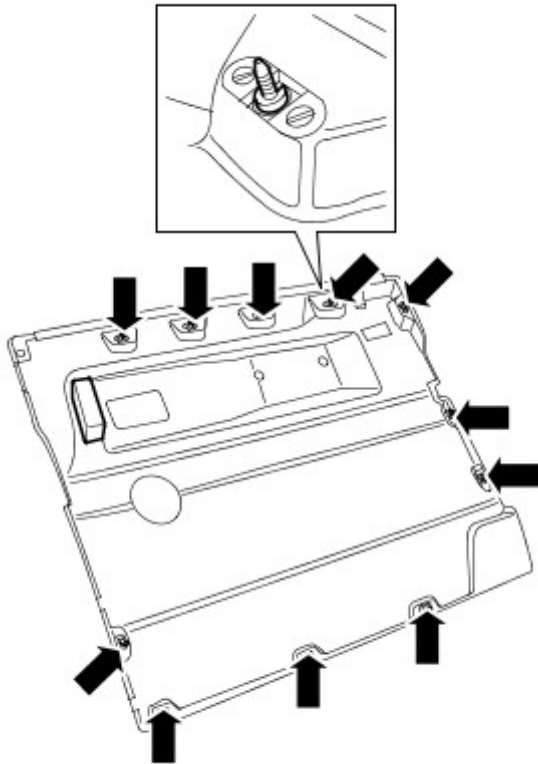


M764233

5. Using a trim removal tool, release 11 fasteners and remove trim casing.

6. **NOTE:** Do not carry out further dismantling if component is removed for access only.

Remove fasteners and anti-vibration pad from trim casing



M764234

Installation

1. Instal anti-vibration pad and fasteners to trim casing.
2. Position trim casing, align fasteners with holes in door and press firmly into position.
3. Instal trim studs to casing.
4. Instal sill button guide.
5. Instal escutcheon to door handle and secure with screws.