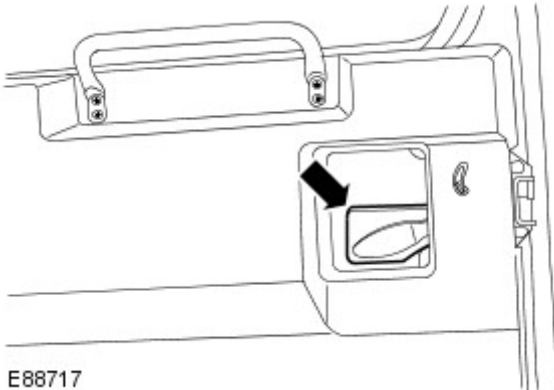


## Interior Trim and Ornamentation - Taildoor Trim Panel

Removal and Installation

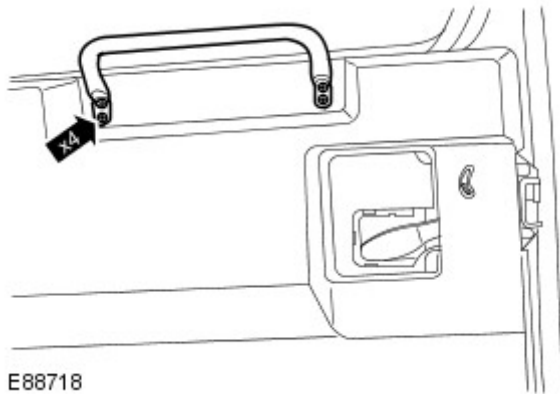
### Removal

1. Remove the taildoor trim panel trim finisher.



E88717

2. Remove the taildoor grab handle.
  - Remove the 4 screws.



E88718

3. Remove the taildoor trim panel.
  - Release the 9 clips.