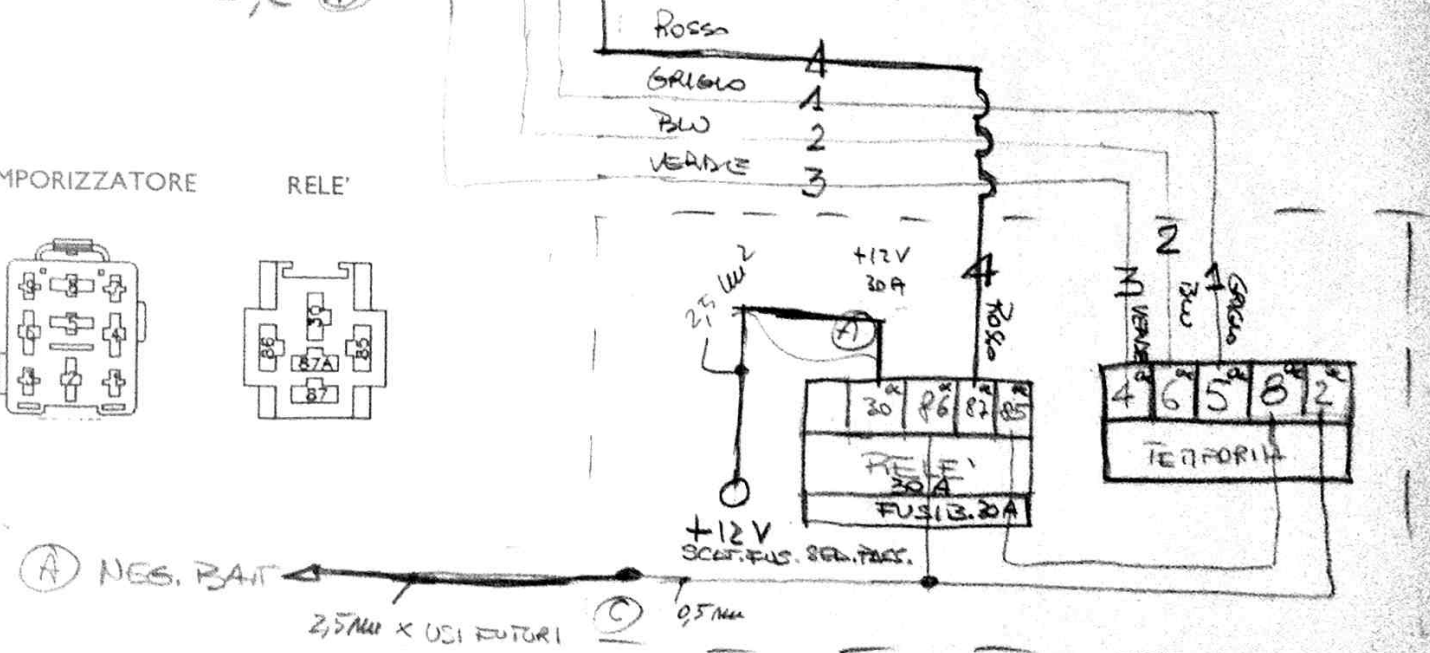
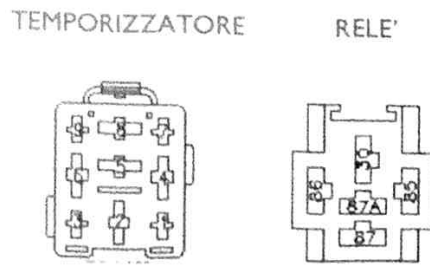
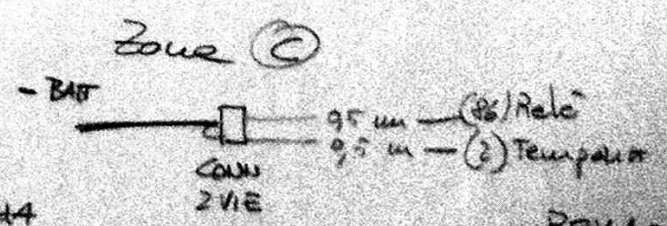
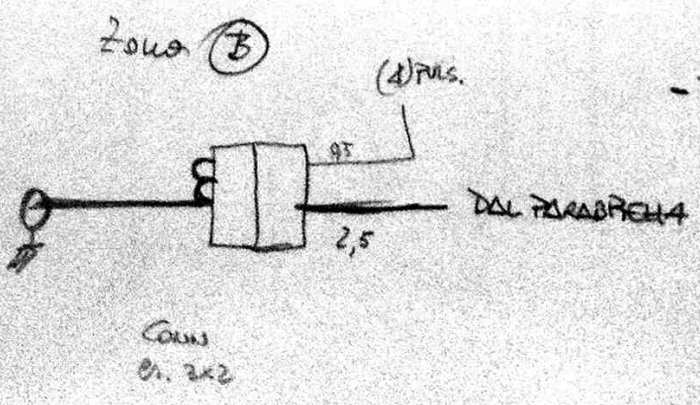


- NB! RICORDARSI
- 1) Giunzione 4-4 BIS
 - 2) Connettere su 3, 2

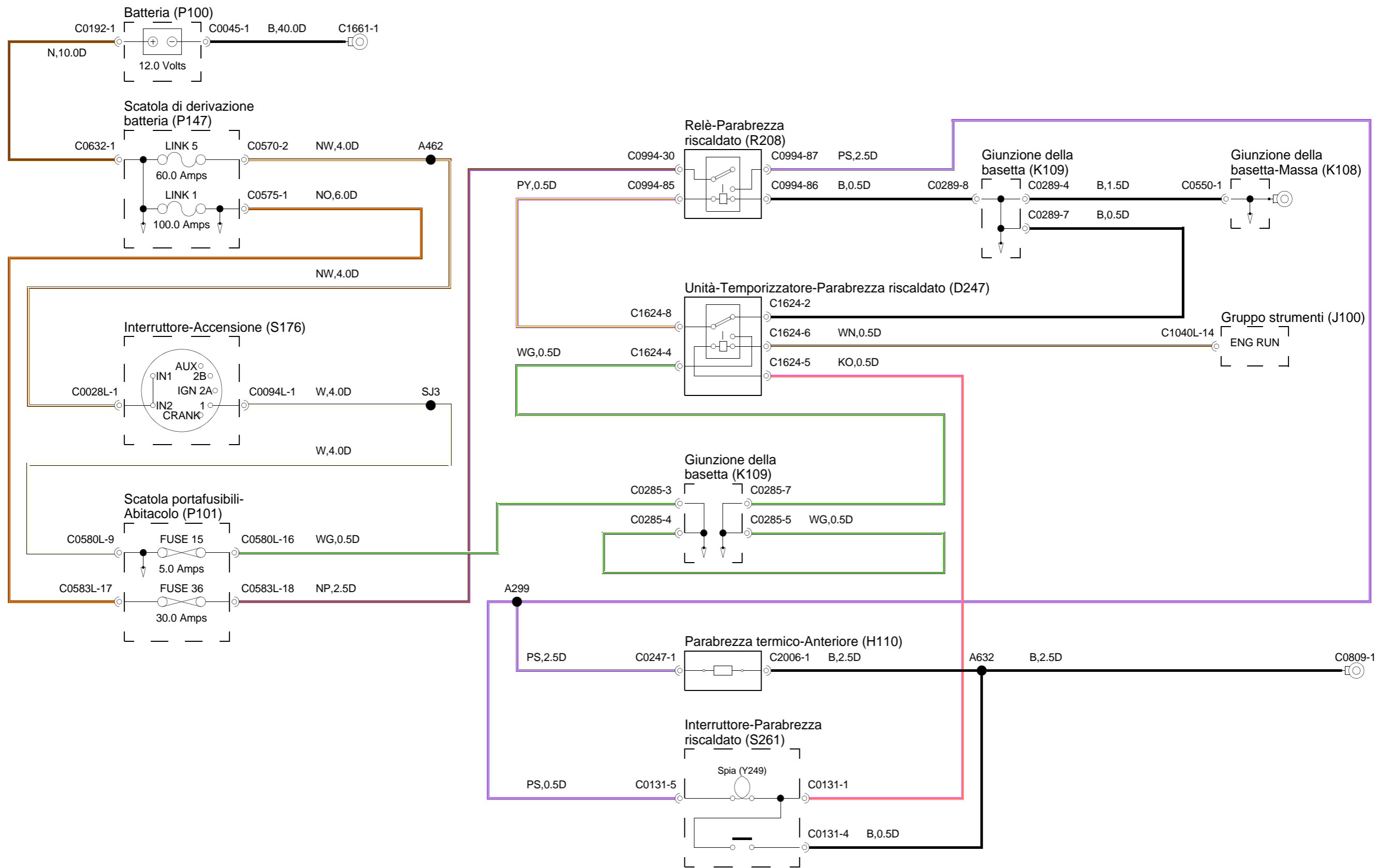
INGUAINA : 5 cavi 0,5 mm²
 + 1 cavi 2,5 mm²



A DEVE ANDARE SU VANO BATTERIA CON 8A GUAINA SU NEG BATT Ø 2,5 mm²



REV 1.0 12/08/2003
 REV 2.0 10/05/2005
 REV 2.4 05/05/2005

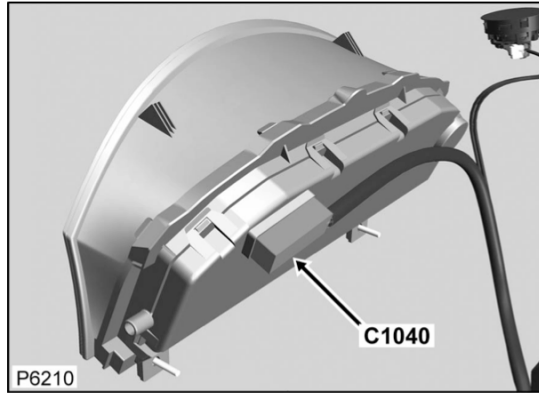
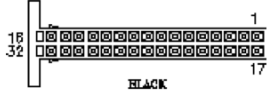


[Click here to print](#)

Connector: C1040R

Description: Instrument cluster

Location: Behind instrument cluster



Part No.: YPC901800

Colour:

Cavities:

Harness: MAIN LH + RH HARNESS

Wire Chart

CAV	TERMINAL	CSA	COL	CCT	DESTN
1	YPL101310	0.5D	PN	200R	C0287
2	YPL101310	0.5D	WG	200R	C0285
3	YPL101310	0.5D	LGS	254R	C0061R
4	YPL101310	0.5D	LGS	254R	C0872
8	YPL101910	0.75D	YP	200R	C0376
11	YPL101310	0.5D	RS	10	C0504
12	YPL101310	0.5D	BW	200R	C0288
13	YPL101310	0.5D	BR	200R	C0195
14	YPL101310	0.5D	WN	109R	C1624
15	YPL101310	0.5D	YS	10	C0504
16	YPL101310	0.5D	UB	200R	S/JOINT SJ9
17	YPL101310	0.5D	B	200R	C0288
19	YPL101310	0.5D	WB	200R	C0285
20	YPL101310	0.5D	RY	200R	C1741
21	YPL101310	0.5D	BR	200R	C0096
22	YPL101310	0.5D	GR	200R	C0287
23	YPL101310	0.5D	GW	200R	C0287

Service Repair Kits

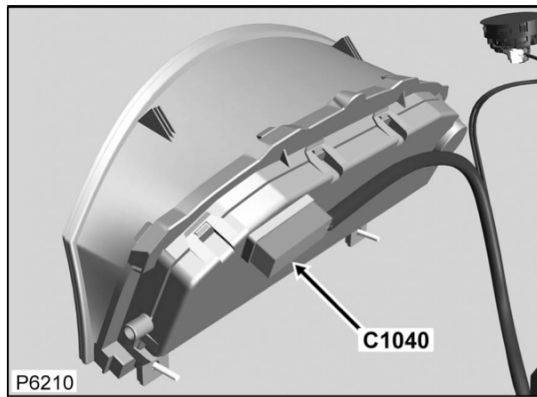
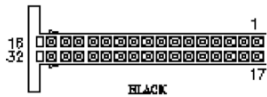
CSA	0.20- 0.50 CSA	
Cavities: 1-4,8,11-17,19-32		
VDK500010	SRK ITEM GENERAL	1
VDK500070	SRK ITEM MQ EXTRACT TOOL	1
VDK500080	SRK ITEM MPQ EXTRACT TOOL	1
YMI000870	SRK ITEM MQS FAMILY 0.75CSA	1
YPQ000100	SRK ITEM	1
YRV000040	SRK ITEM PIDG RED	1
YRW000390	SRK ITEM	1
YRW500010	SRK ITEM	1
YRW500060	SRK ITEM MQ FAMILY	1
YRW500070	SRK ITEM MPQ FAMILY	1
VUB500080		

24	YPL101310	0.5D	LGP	200R	C0536R
25	YPL101310	0.5D	RB	200R	C0288
26	YPL101310	0.5D	GN	200R	CTAP
27	YPL101310	0.5D	UO	200R	CTAP
28	YPL101310	0.5D	WB	200R	C0685
29	YPL101310	0.5D	BU	200R	C0306
30	YPL101310	0.5D	K	22R	C0057R
31	YPL101910	0.75D	GO	200R	C0376
32	YPL101310	0.5D	GB	200R	S/JOINT SJ10

Connector: C1040R

Description: Instrument cluster

Location: Behind instrument cluster



Part No.: YPC901800

Colour:

Cavities:

Harness: MAIN LH + RH HARNESS

Wire Chart

CAV	TERMINAL	CSA	COL	CCT	DESTN
1	YPL101310	0.5D	PN	200R	C0287
2	YPL101310	0.5D	WG	200R	C0285
3	YPL101310	0.5D	LGS	254R	C0061R
4	YPL101310	0.5D	LGS	254R	C0872
8	YPL101910	0.75D	YP	200R	C0376
11	YPL101310	0.5D	RS	10	C0504
12	YPL101310	0.5D	BW	200R	C0288
13	YPL101310	0.5D	BR	200R	C0195
14	YPL101310	0.5D	WN	109R	C1624

Service Repair Kits

CSA	0.20- 0.50 CSA	
Cavities: 1-4,8,11-17,19-32		
VDK500010	SRK ITEM GENERAL	1
VDK500070	SRK ITEM MQ EXTRACT TOOL	1
VDK500080	SRK ITEM MPQ EXTRACT TOOL	1
YMI000870	SRK ITEM MQS FAMILY 0.75CSA	1